

Quick start guide - Altistart 22

ANNEX for UL 508 market



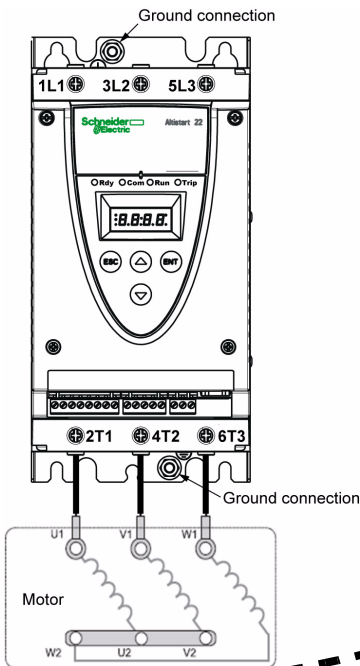
S1A1473801

Please find the dedicated schematics for North American Market

5 Connect the soft starter

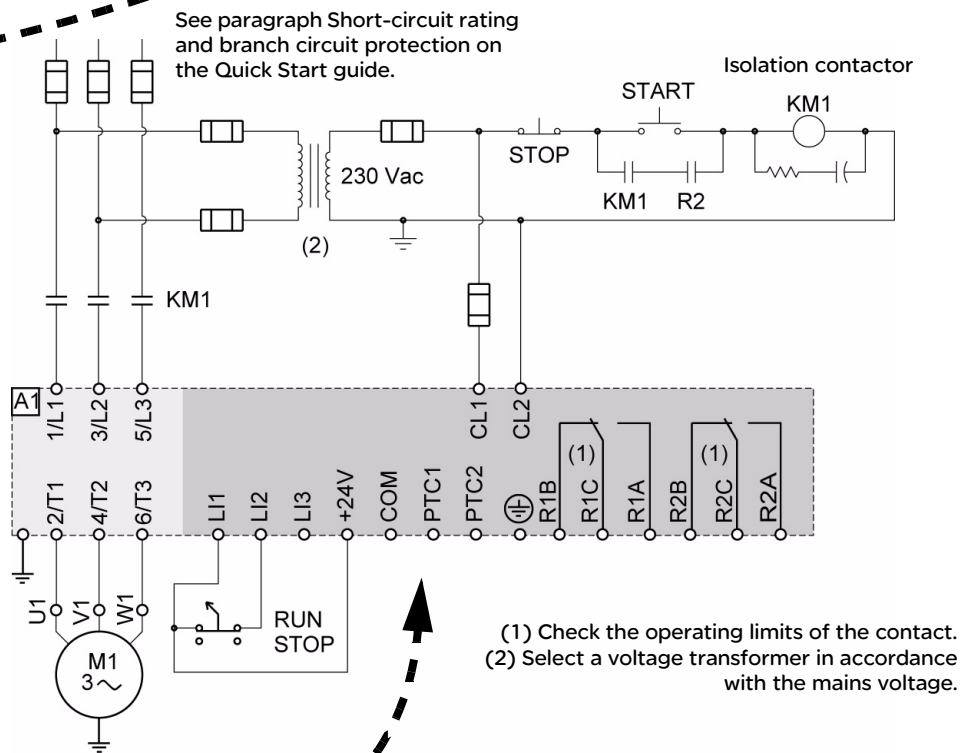
For ATS22●●●Q or ATS22●●●S6

2-wire control, freewheel stop

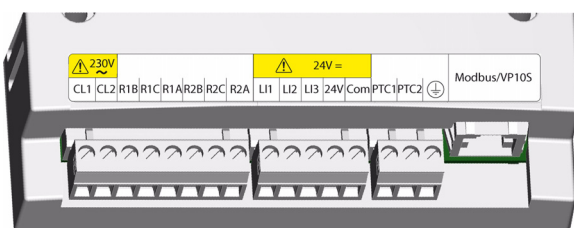


a) Connect Power:

- Wire the soft starter to the ground.
- Wire the soft starter to the line supply: 1/L1 - 3/L2 - 5/L3.
- Check that the motor voltage is compatible with the soft starter voltage.
- Wire the soft starter to the motor.



b) Connect Control:



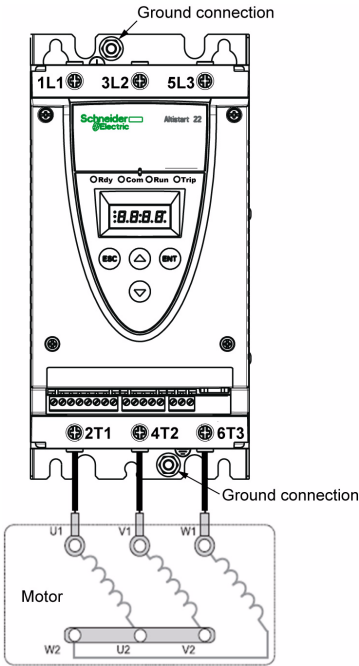
- Check that the control supply is **230V** for CL1 and CL2.
- Remove the red sticker which covers the CL1-CL2 terminals.
- Wire control supply: CL1 and CL2.
- Wire logical inputs: L1 and L2.
- Wire the relay: R2A and R2C.

Note: For additional information in order to size the protective and control devices, refer to the catalog or the user manual available on www.schneider-electric.com

6 Connect the soft starter

For ATS22●●●S6U

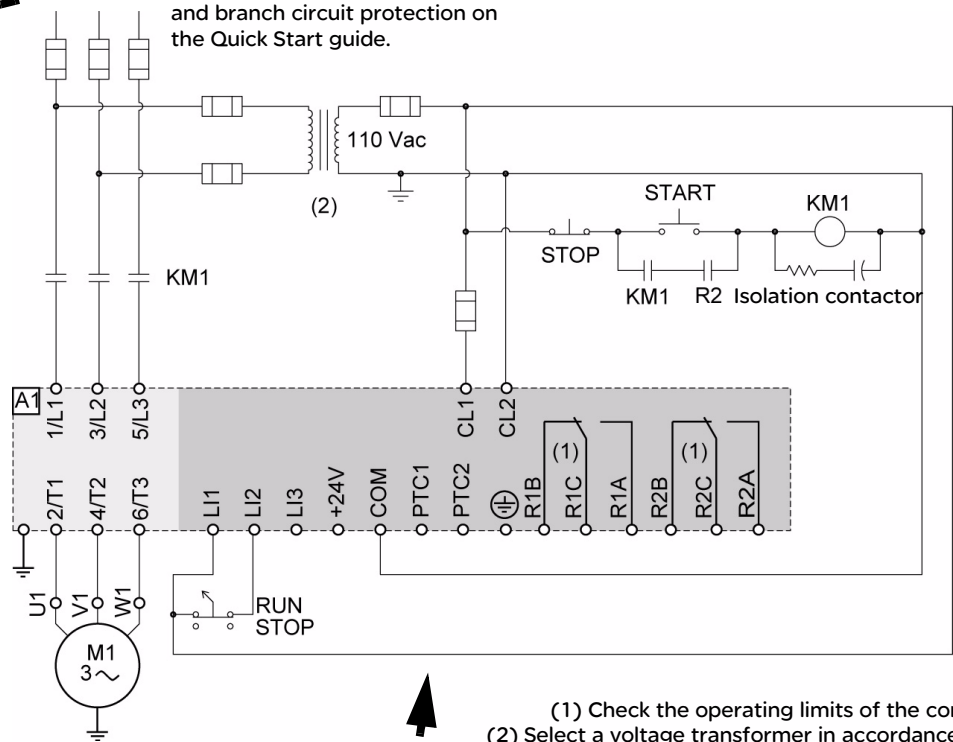
2-wire control, freewheel stop



a) Connect Power:

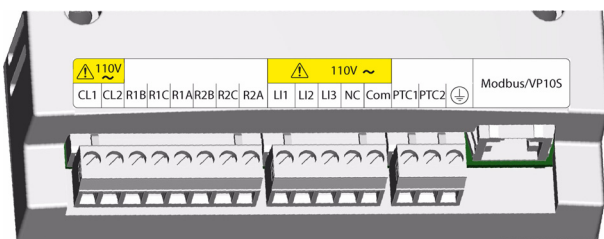
- Wire the soft starter to the ground.
- Wire the soft starter to the line supply: 1/L1 – 3/L2 – 5/L3.
- Check that the motor voltage is compatible with the soft starter voltage.
- Wire the soft starter to the motor.

See paragraph Short-circuit rating and branch circuit protection on the Quick Start guide.



- (1) Check the operating limits of the contact.
- (2) Select a voltage transformer in accordance with the mains voltage.

b) Connect Control:



- Check that the control supply is **110V** for CL1 and CL2.
- Remove the red sticker which covers the CL1-CL2 terminals.
- Wire control supply: CL1 and CL2.
- Wire logical inputs: L1 and L2.
- Wire the relay: R2A and R2C.

Note: For additional information in order to size the protective and control devices, refer to the catalog or the user manual available on www.schneider-electric.com