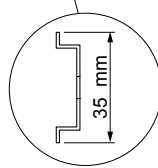
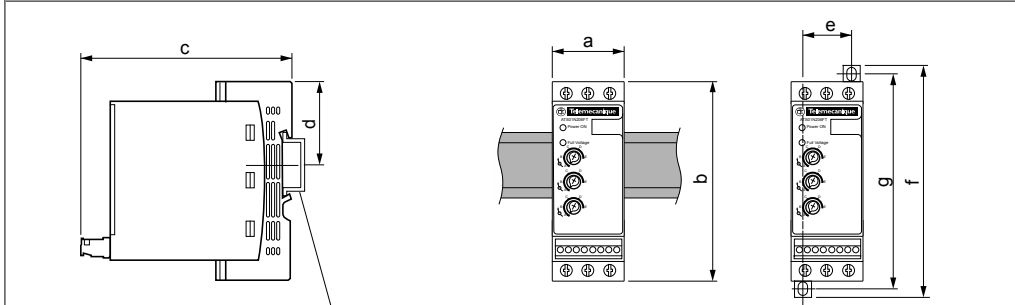
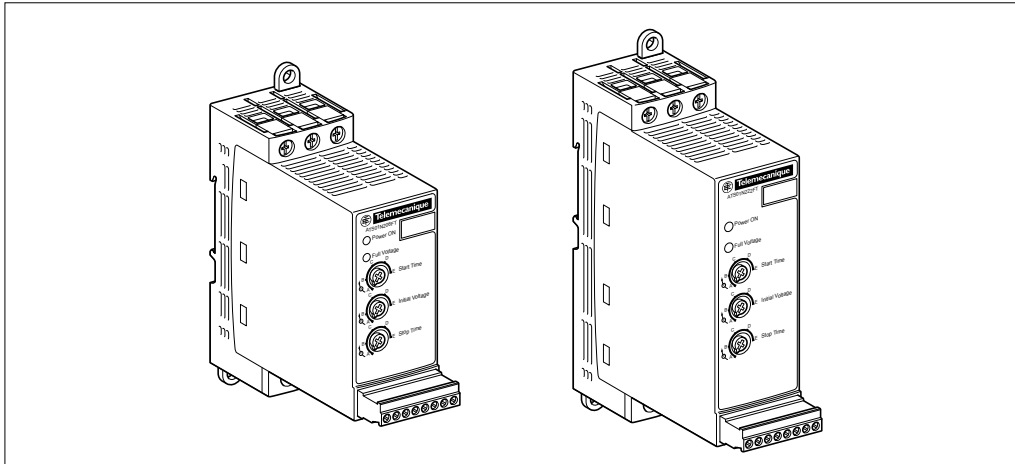


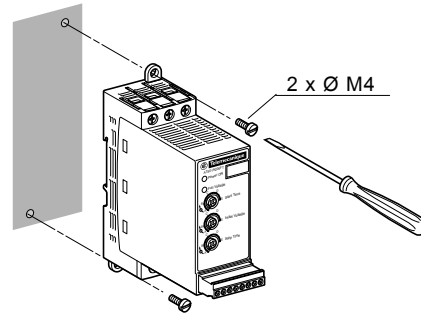
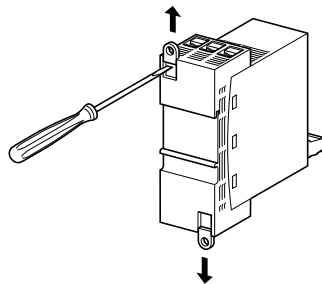


# Altistart

## ATS 01N2●●LU/QN/RT



	a	b	c	d	e	f	g
	mm	mm	mm	mm	mm	mm	mm
ATS 01N206●●	45	124	131	53	30	145	132
ATS 01N212●●							
ATS 01N222●●	45	154	131	72	30	175	162
ATS 01N232●●							



W9 1624686 01 11 A01  
11 - 2003



