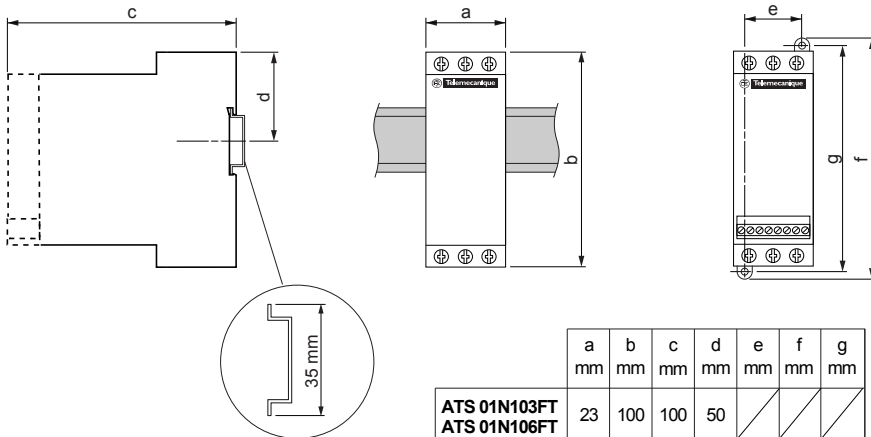
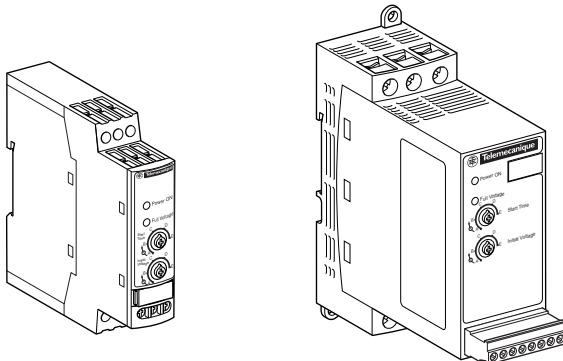


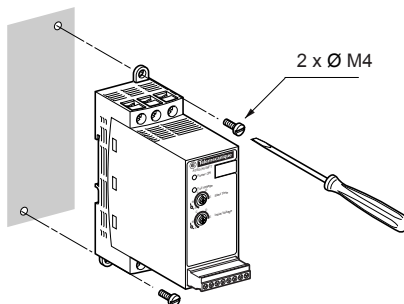
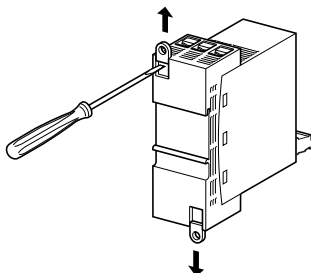


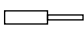
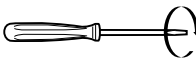
00162468512027

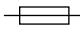
# Altistart ATS 01N1●●FT



	a mm	b mm	c mm	d mm	e mm	f mm	g mm
ATS 01N103FT ATS 01N106FT	23	100	100	50	/	/	/
ATS 01N109FT ATS 01N112FT	45	124	131	53	30	145	133



		 [ mm <sup>2</sup> ]   AWG		 Nm   lb/in	
⌀ 24 V ⌀ CL2 ⌀ CL1/0	<b>ATS 01N103FT</b> <b>ATS 01N106FT</b>	≤ 2,5	≤ 18	0,8	7
	<b>ATS 01N109FT</b> <b>ATS 01N112FT</b>	≤ 10	≤ 10	1,9...2,5	7...22
⌀ 1/L1 ⌀ 3/L2 ⌀ 5/L3 ⌀ 2/T1 ⌀ 4/T2 ⌀ 6/T3	<b>ATS 01N103FT</b> <b>ATS 01N106FT</b>	≤ 2,5	≤ 18	0,8	7
	<b>ATS 01N109FT</b> <b>ATS 01N112FT</b>	≤ 2,5	≤ 10	0,5	4,5

UL  <b>CLASS J</b>	
<b>ATS 01N103FT</b>	<b>10 A</b>
<b>ATS 01N106FT</b>	<b>20 A</b>
<b>ATS 01N109FT</b>	<b>30 A</b>
<b>ATS 01N112FT</b>	<b>35 A</b>

